

FIG. 1

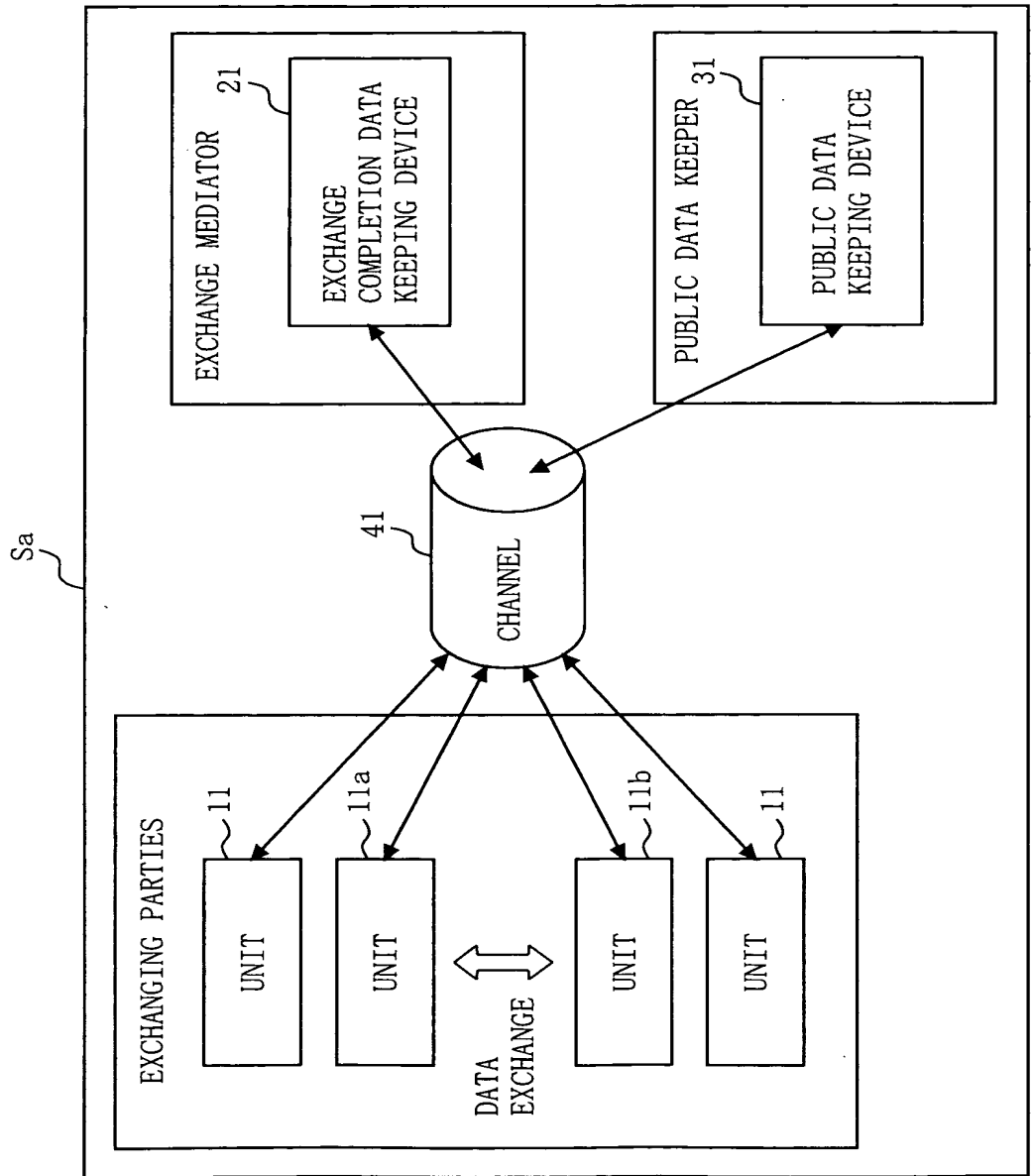


FIG. 2

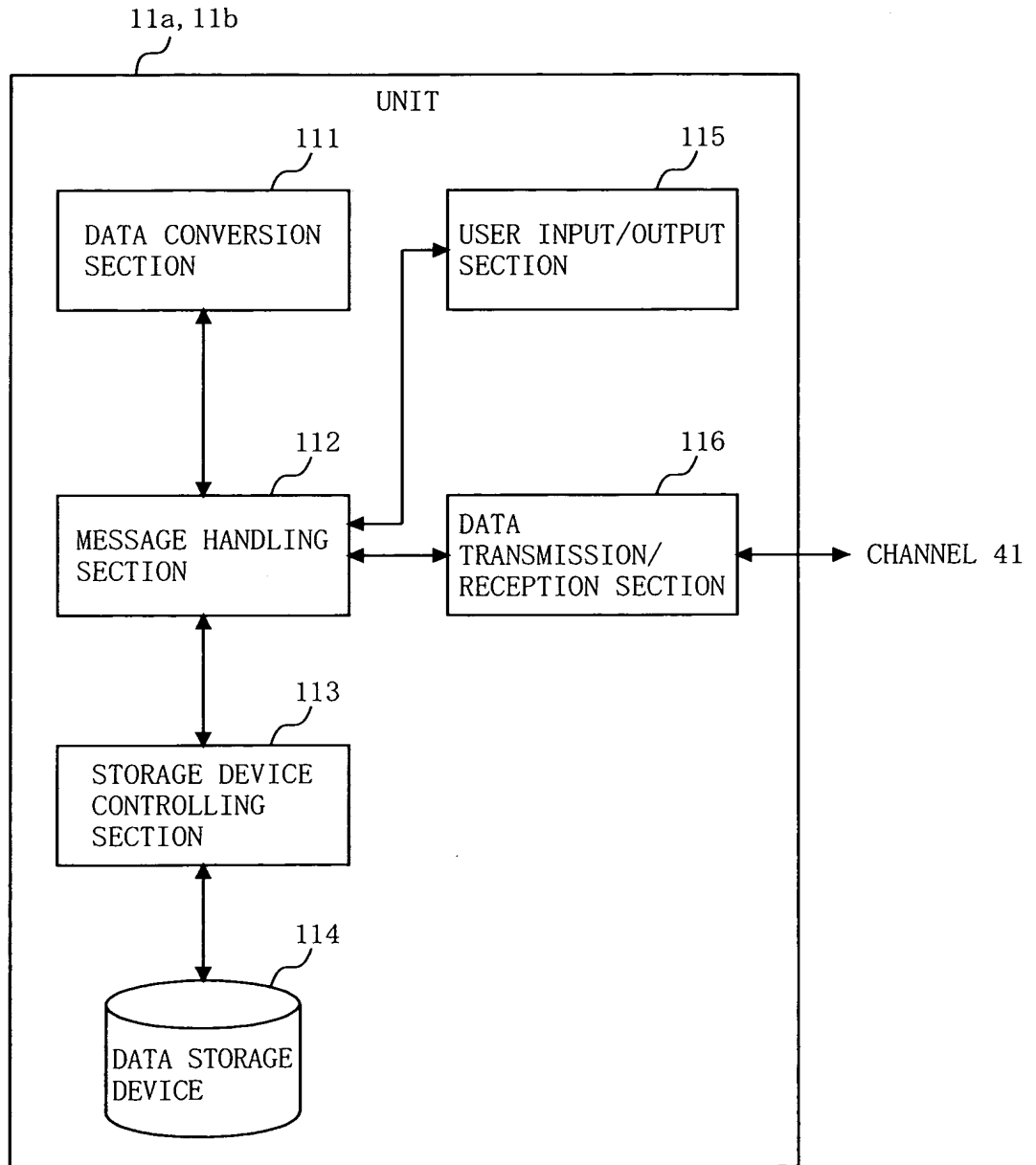


FIG. 3

DATA ID	PUBLIC DATA ID	
DATA_ID-1111	PUBLIC_DATA_ID-1111	D401
DATA_ID-2222	PUBLIC_DATA_ID-2222	D402
...	...	

FIG. 4

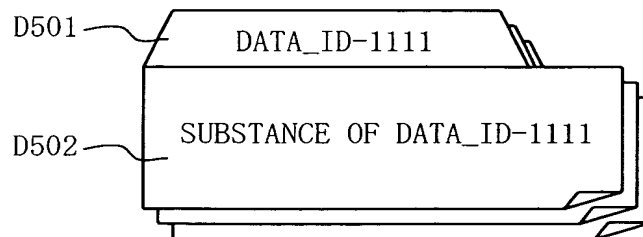


FIG. 5

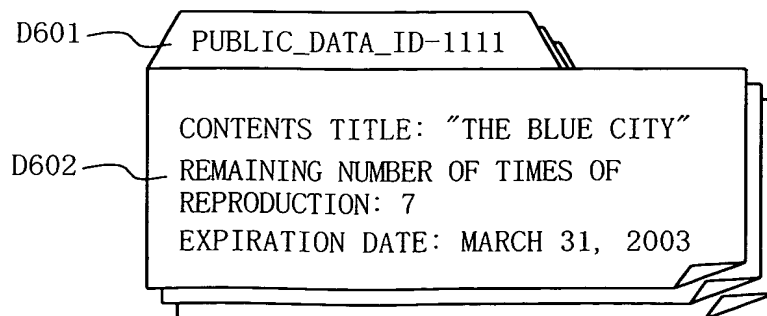


FIG. 6

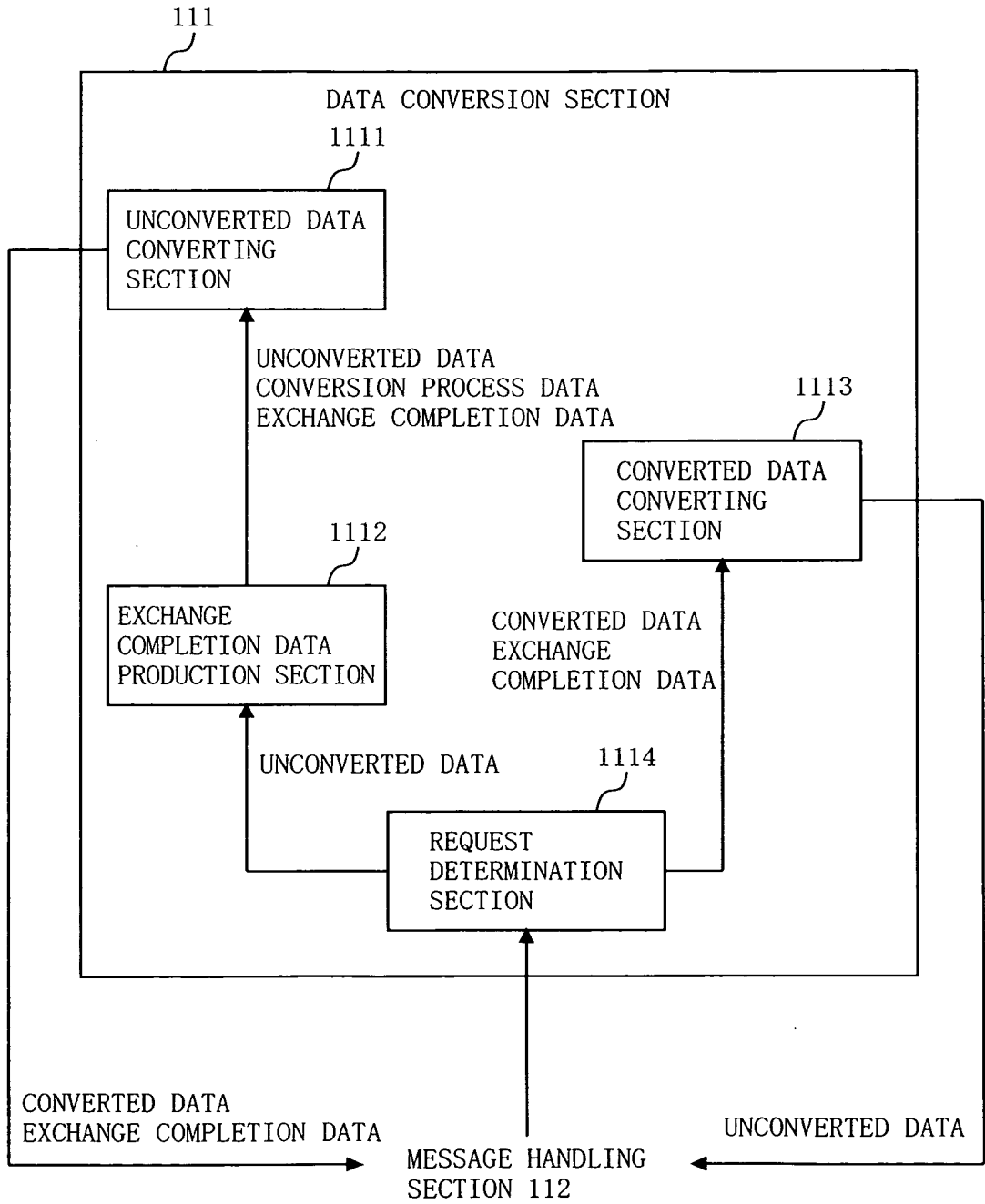


FIG. 7

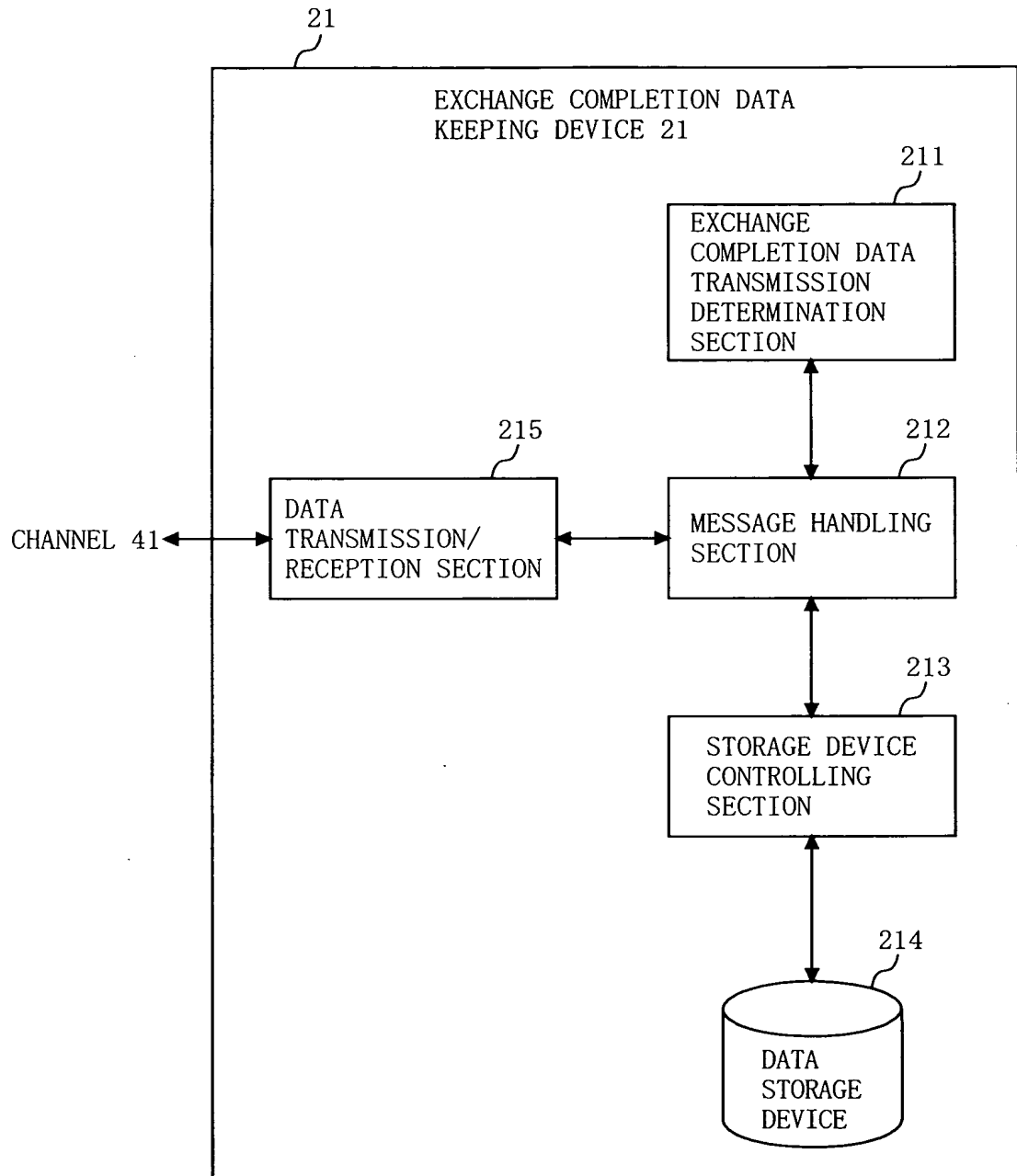


FIG. 8

D901

JUDGE_TABLE_ID-1111

UNIT ID	EXCHANGE COMPLETION DATA ID	COMPLETION NOTIFICATION FLAG
CLIENT_ID-1111	END_DATA_ID-1111	OFF
CLIENT_ID-2222	END_DATA_ID-2222	OFF

D902

D903

The diagram shows a table structure with three columns: UNIT ID, EXCHANGE COMPLETION DATA ID, and COMPLETION NOTIFICATION FLAG. The table is titled 'JUDGE_TABLE_ID-1111' and is labeled 'D901'. It contains two rows of data. The first row has 'CLIENT_ID-1111' in the first column, 'END_DATA_ID-1111' in the second column, and 'OFF' in the third column. The second row has 'CLIENT_ID-2222' in the first column, 'END_DATA_ID-2222' in the second column, and 'OFF' in the third column. Reference labels 'D902' and 'D903' are positioned below the table, pointing to the first and second rows respectively.

FIG. 9

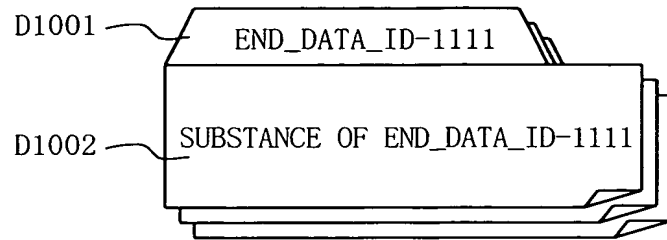


FIG. 10

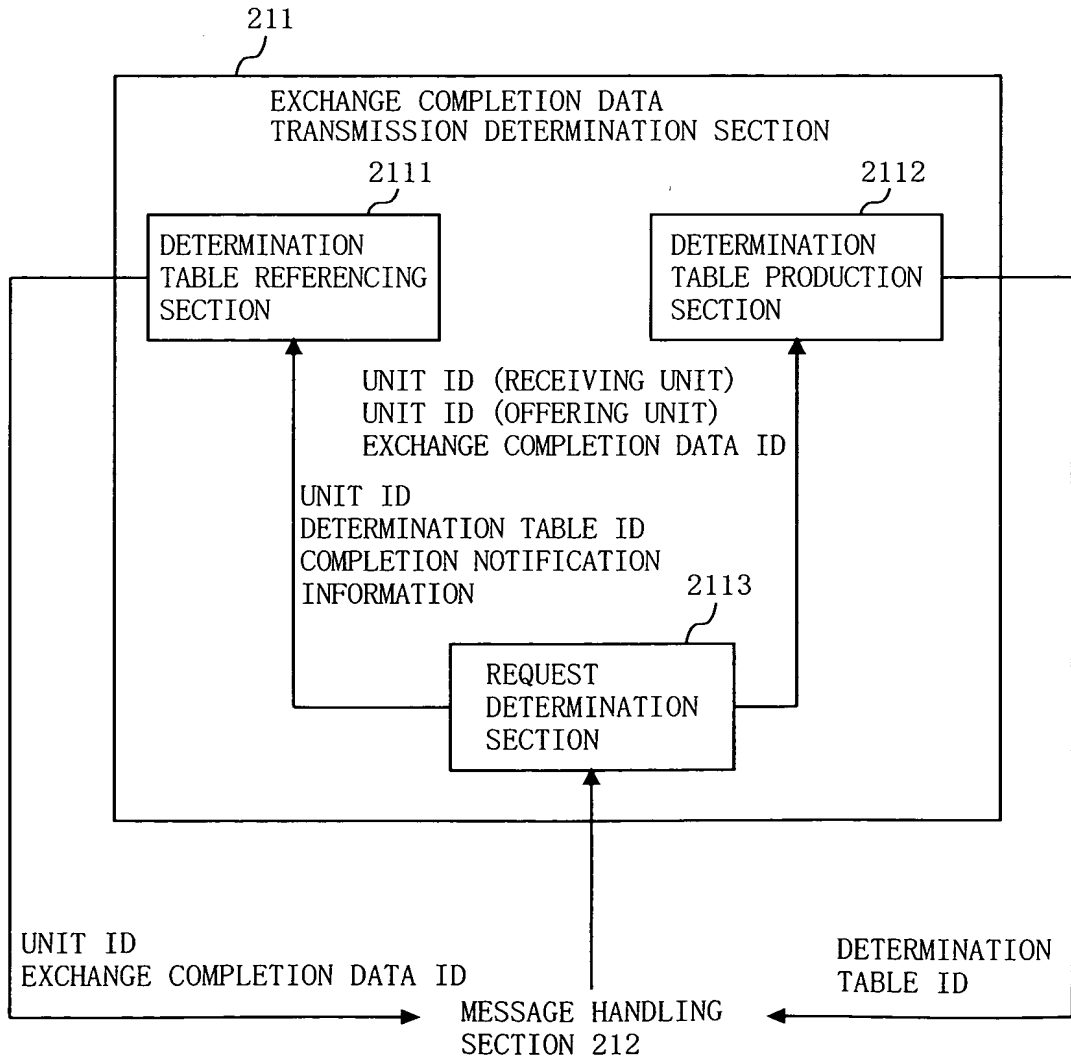


FIG. 11

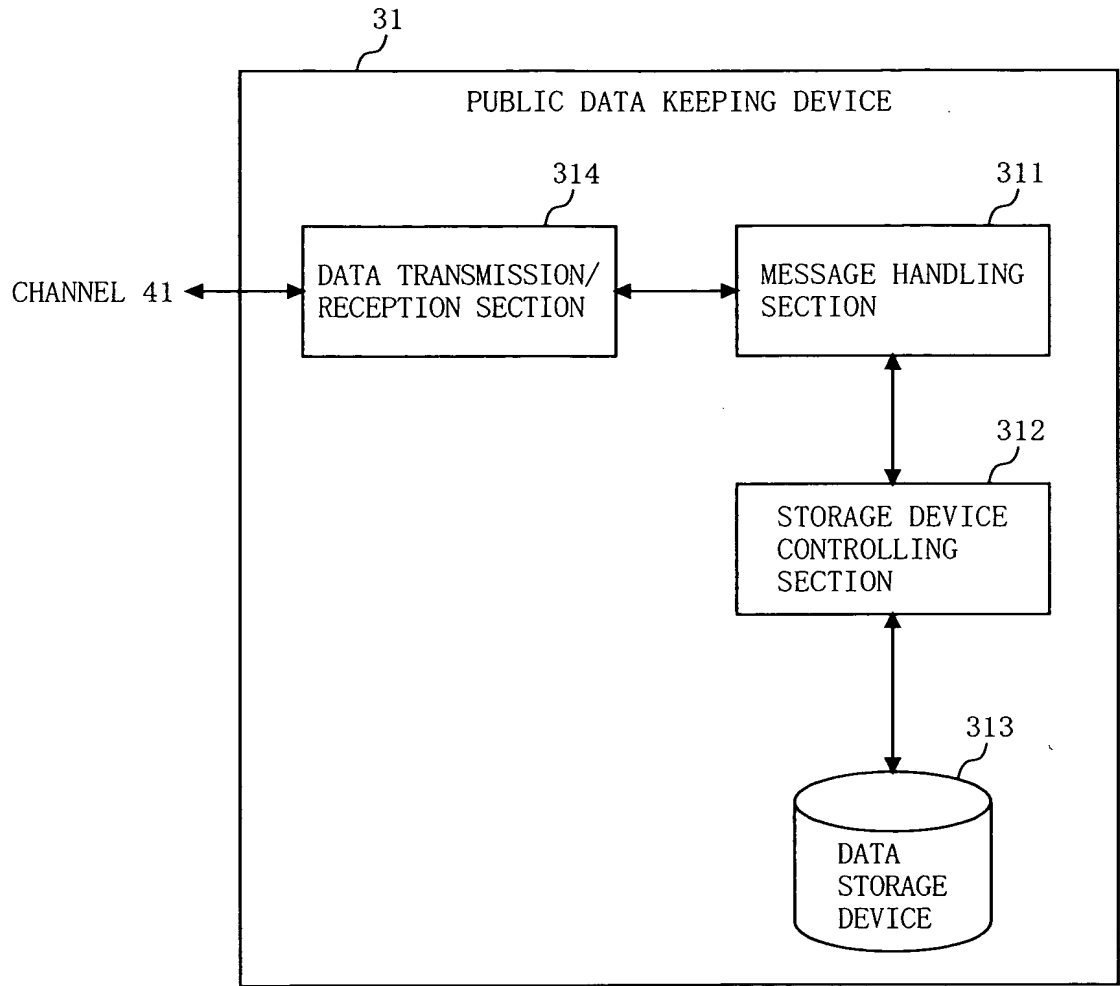


FIG. 12

REGISTERING UNIT ID	PUBLIC DATA ID
CLIENT_ID-1111	PUBLIC_DATA_ID-1111
CLIENT_ID-2222	PUBLIC_DATA_ID-2222
...	...

D1201

D1202

FIG. 13

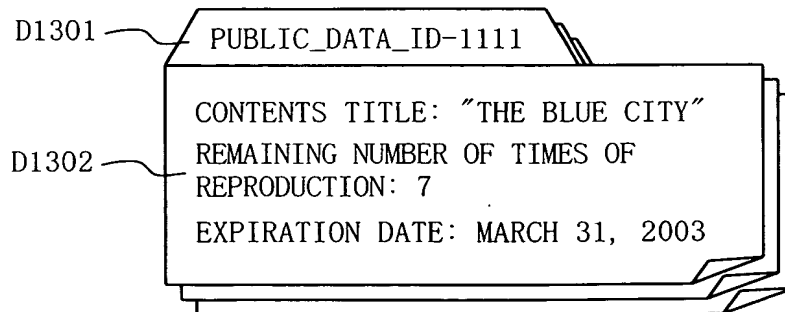


FIG. 14

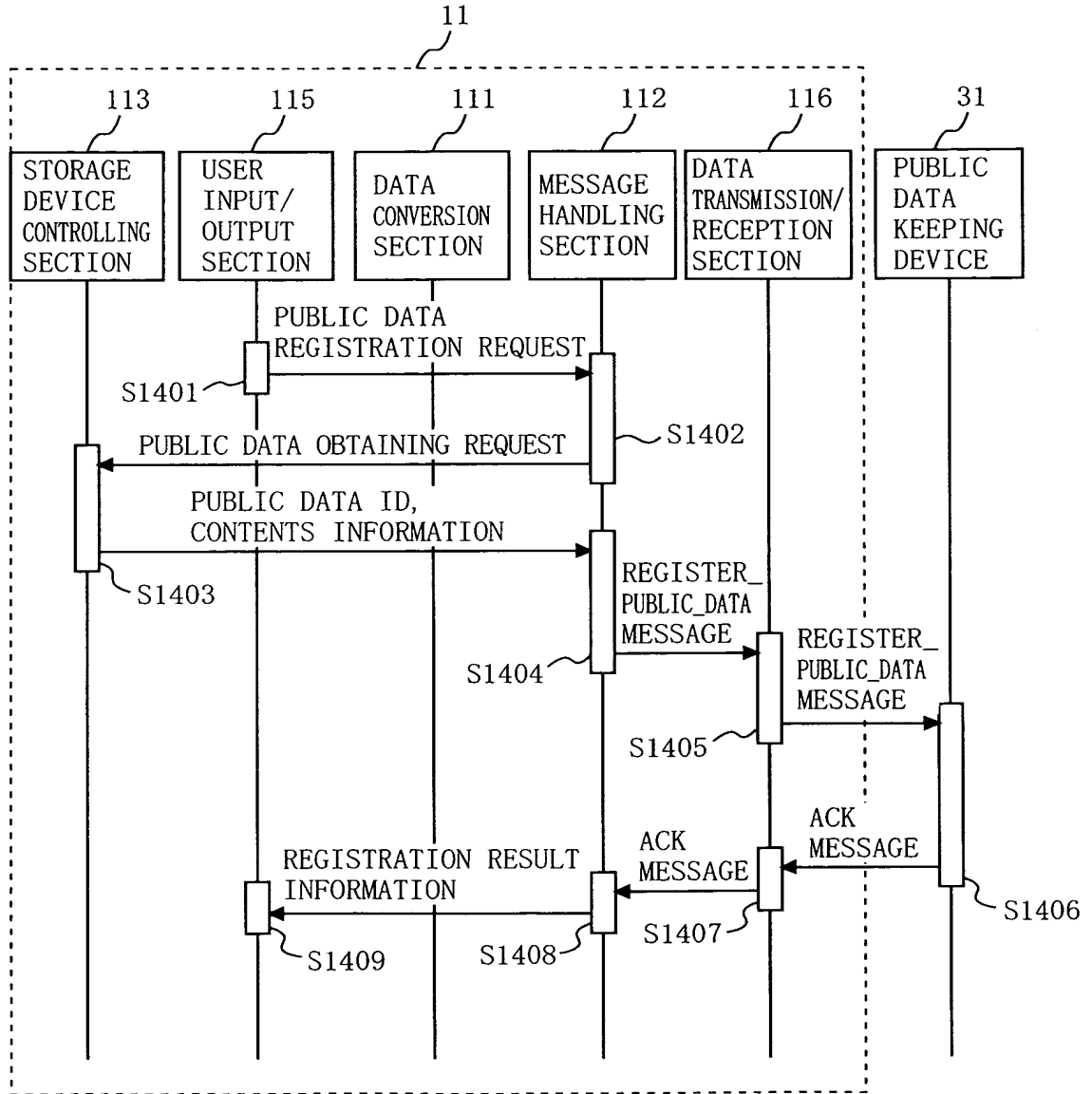


FIG. 15

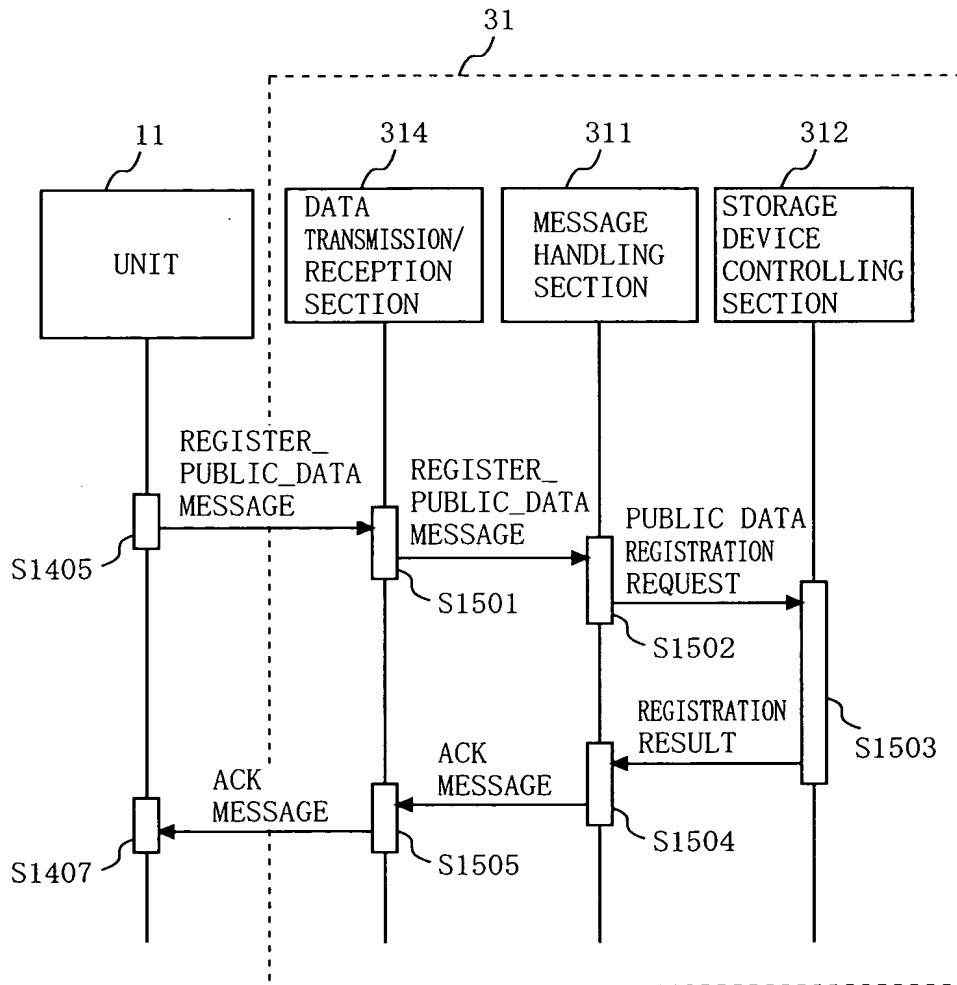


FIG. 16

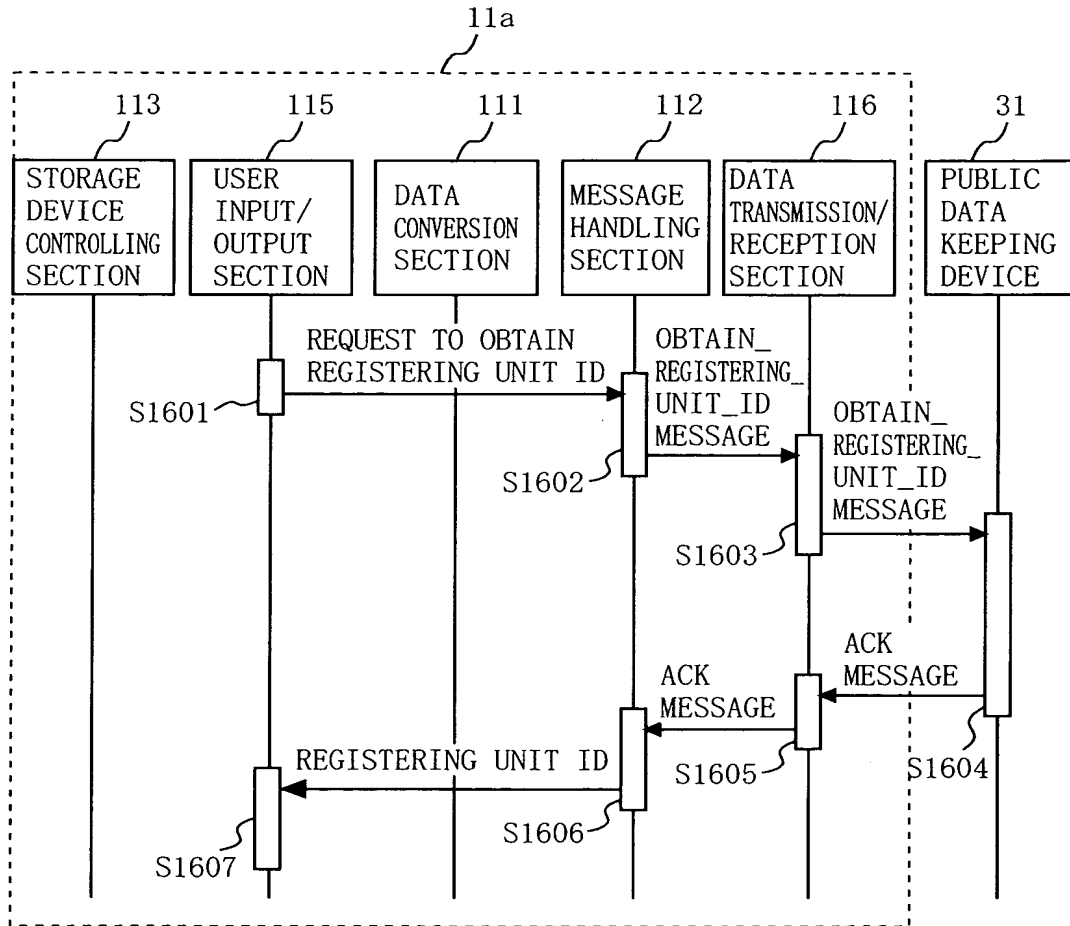


FIG. 17

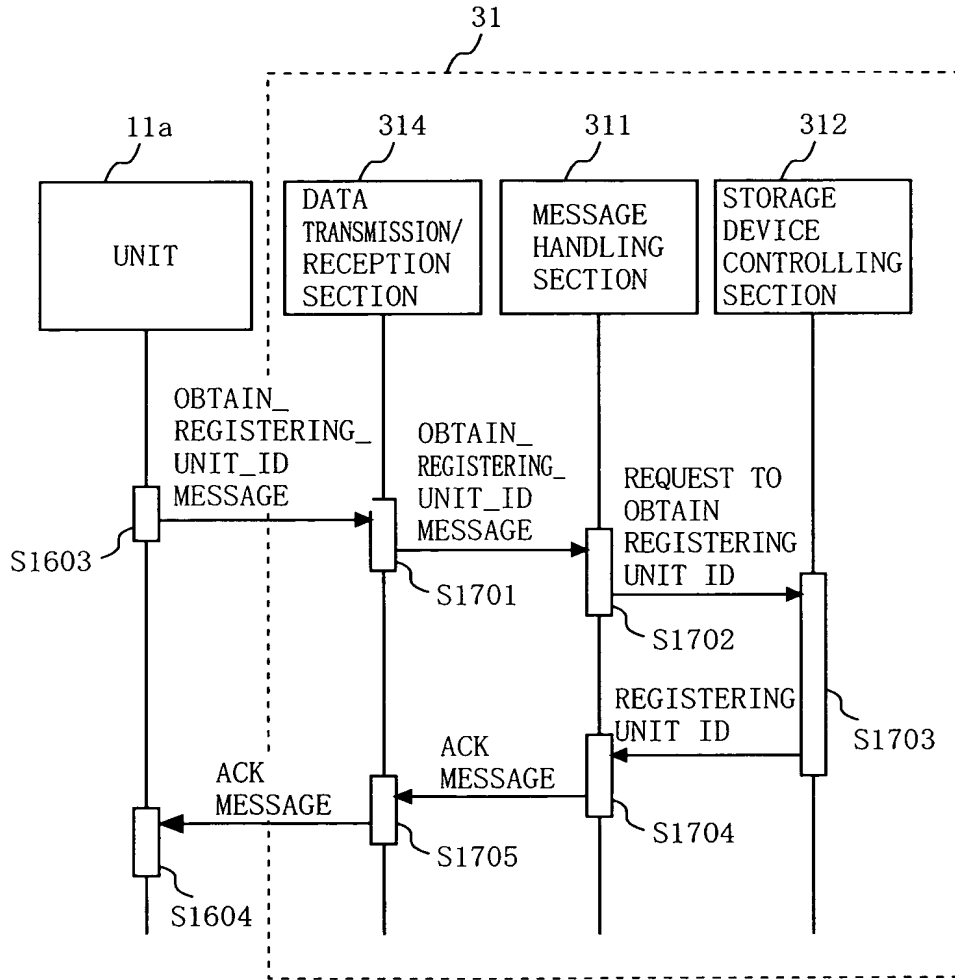


FIG. 18

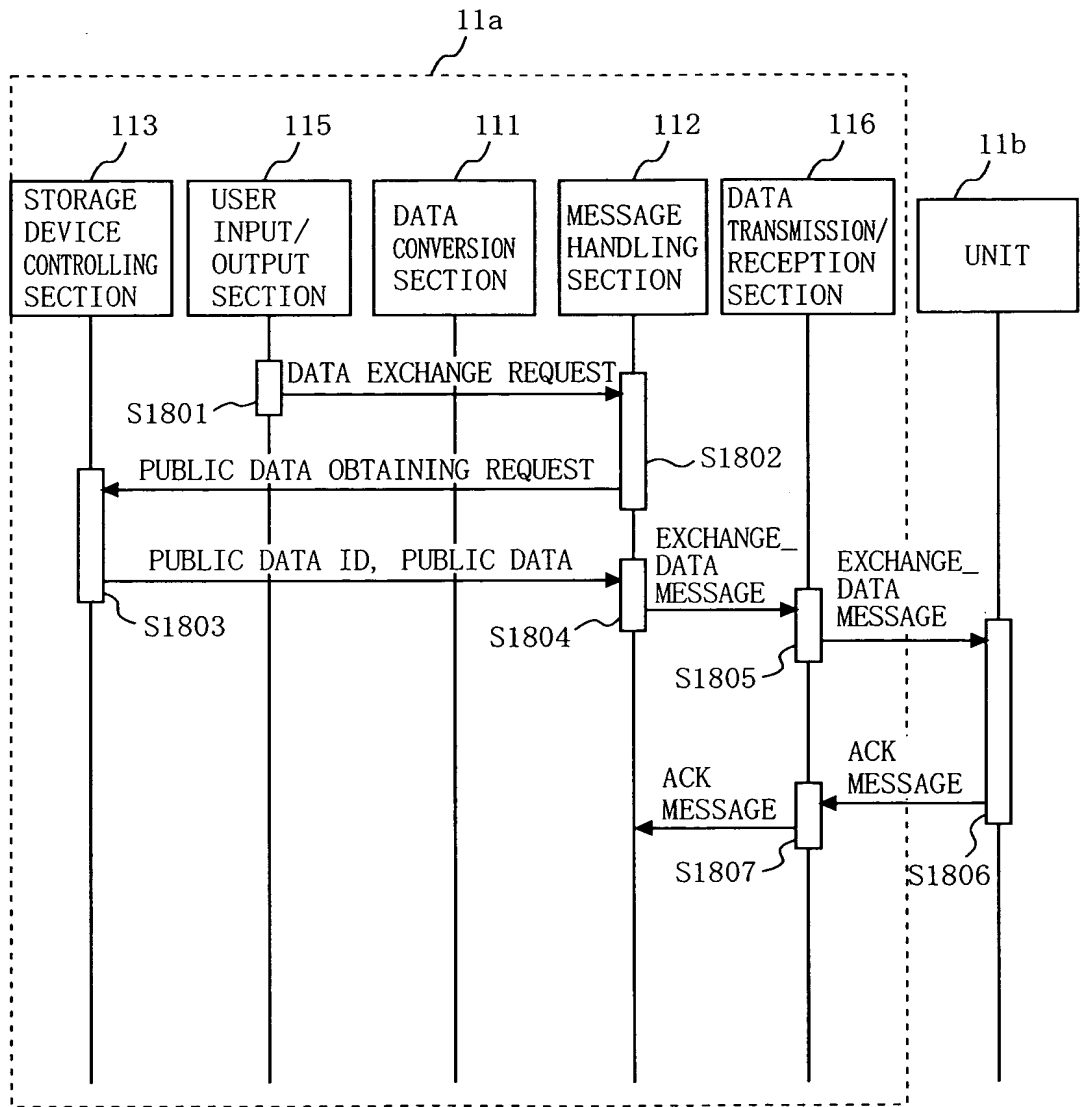


FIG. 19

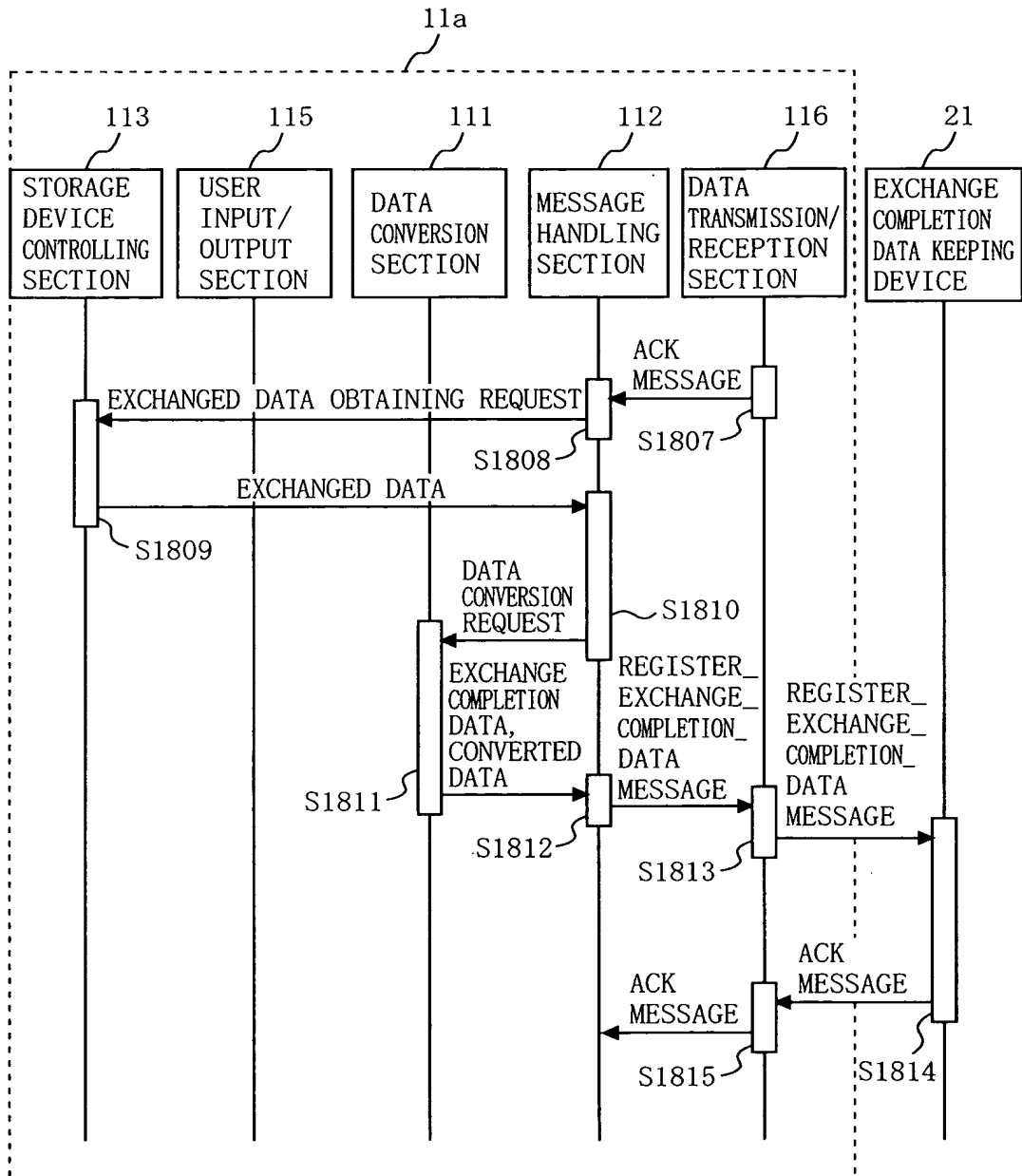


FIG. 20

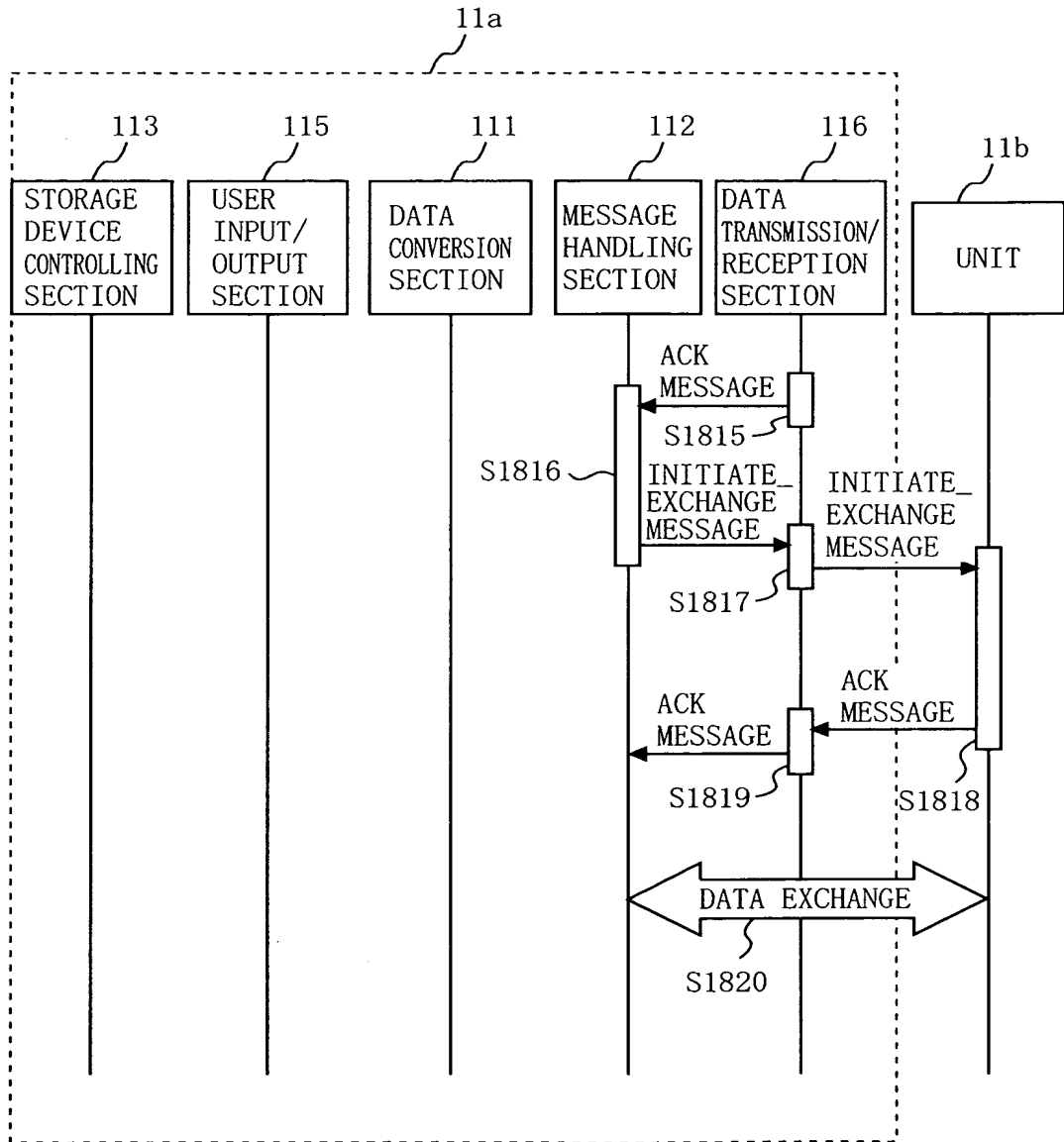


FIG. 21

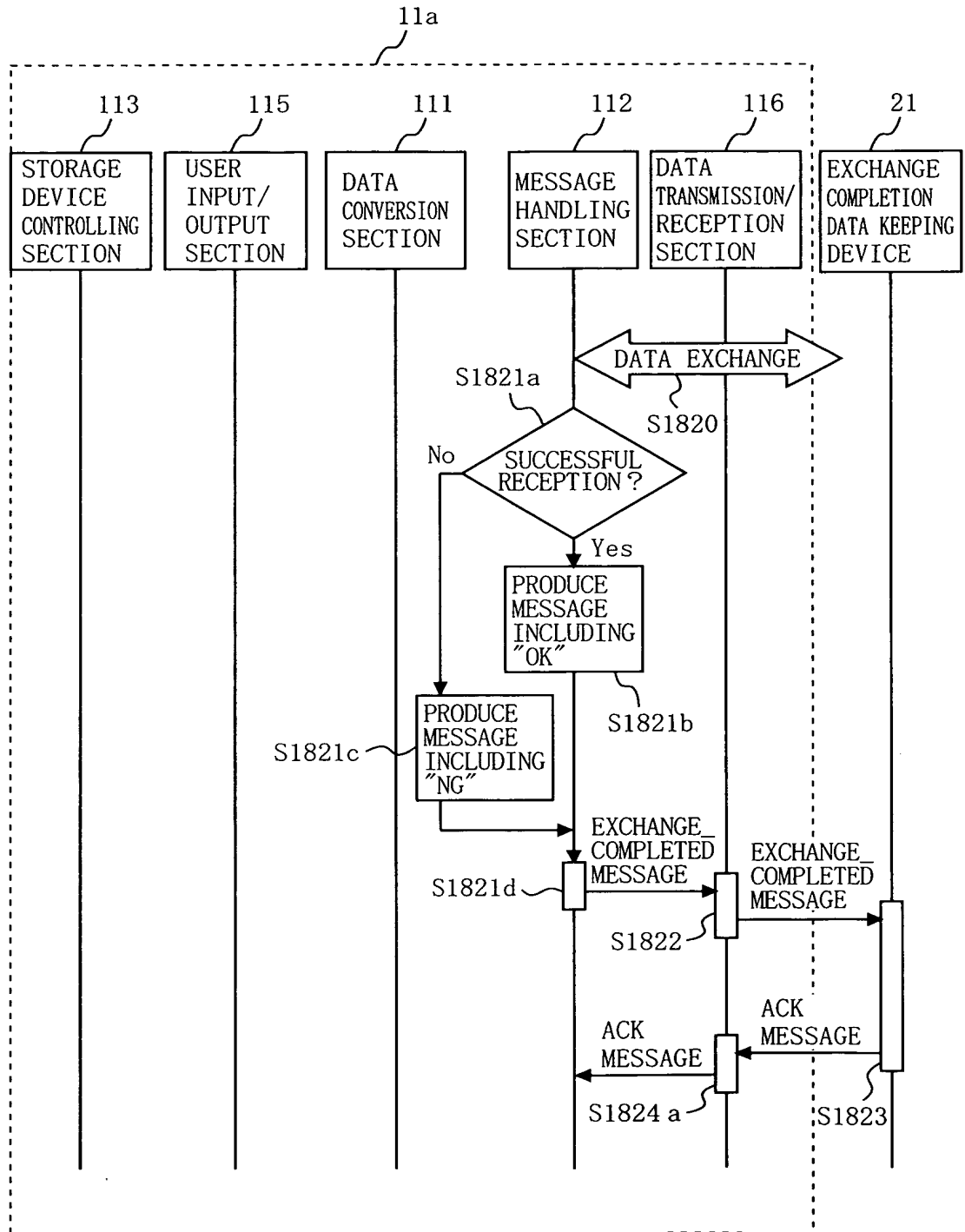


FIG. 22

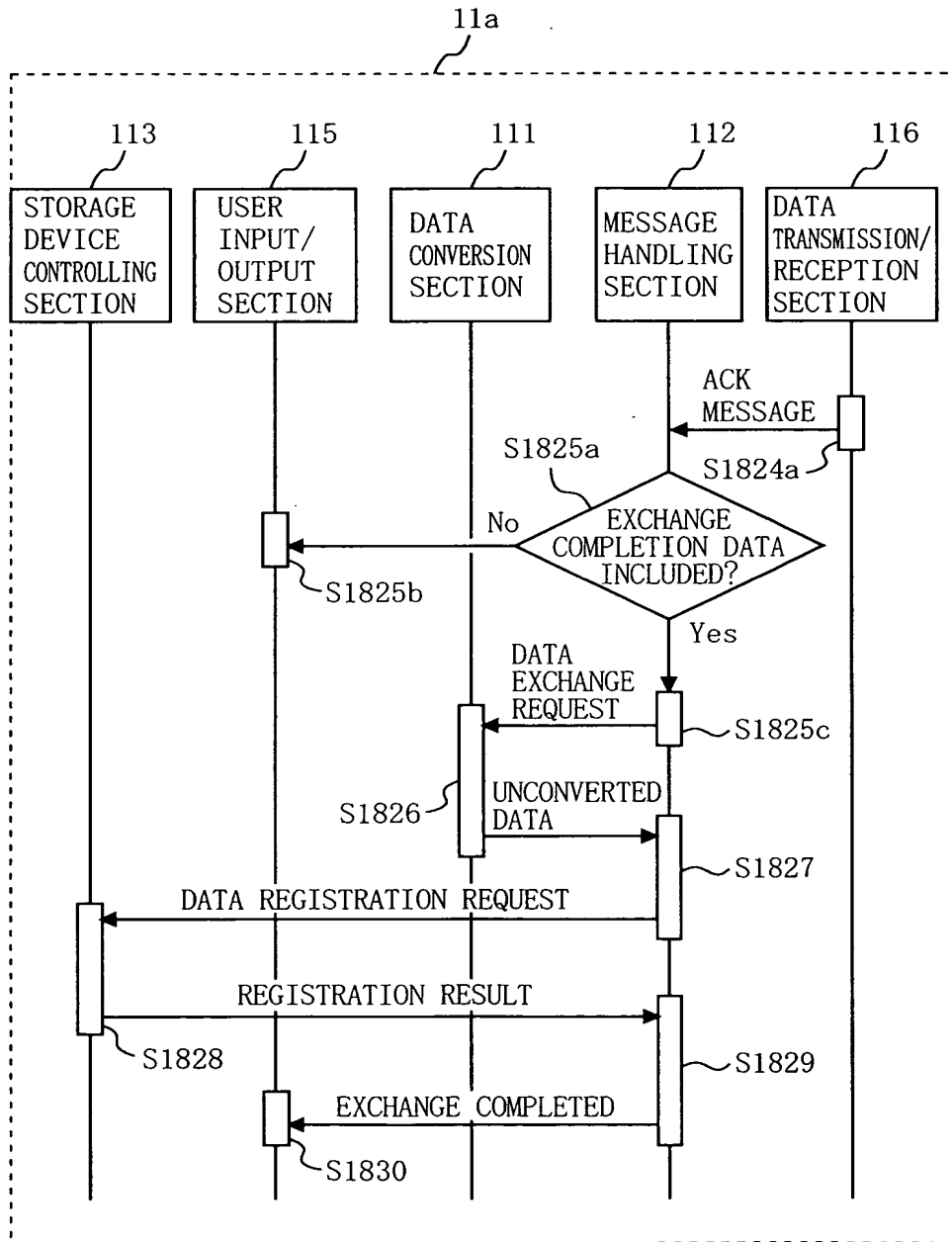


FIG. 23

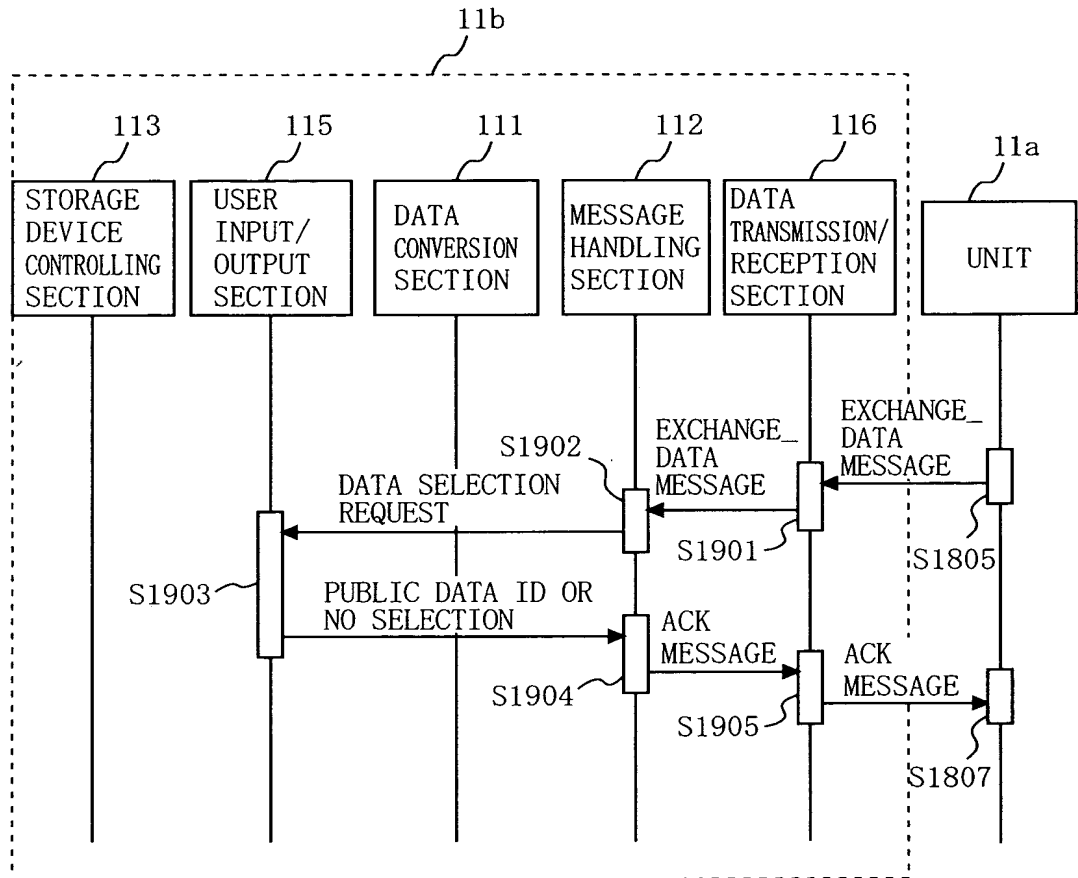


FIG. 24

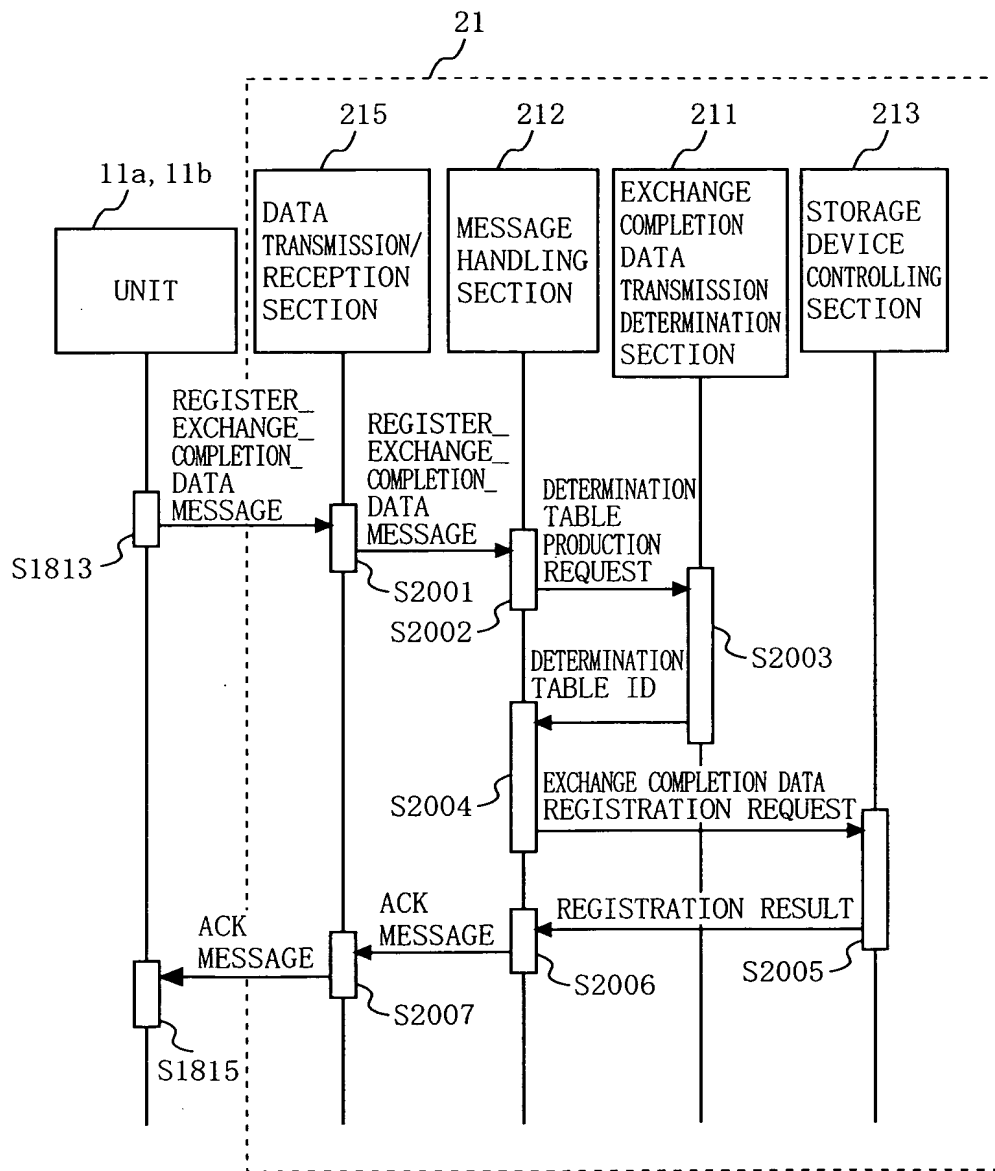


FIG. 25

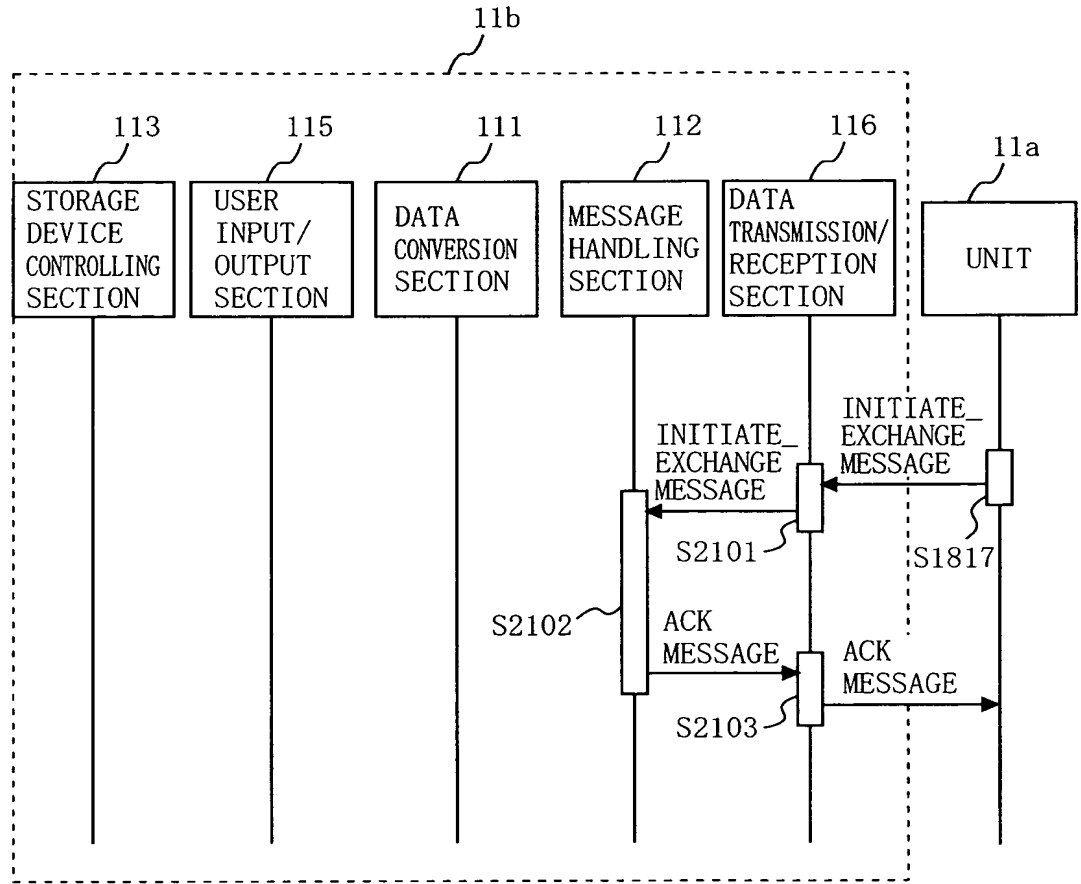


FIG. 26

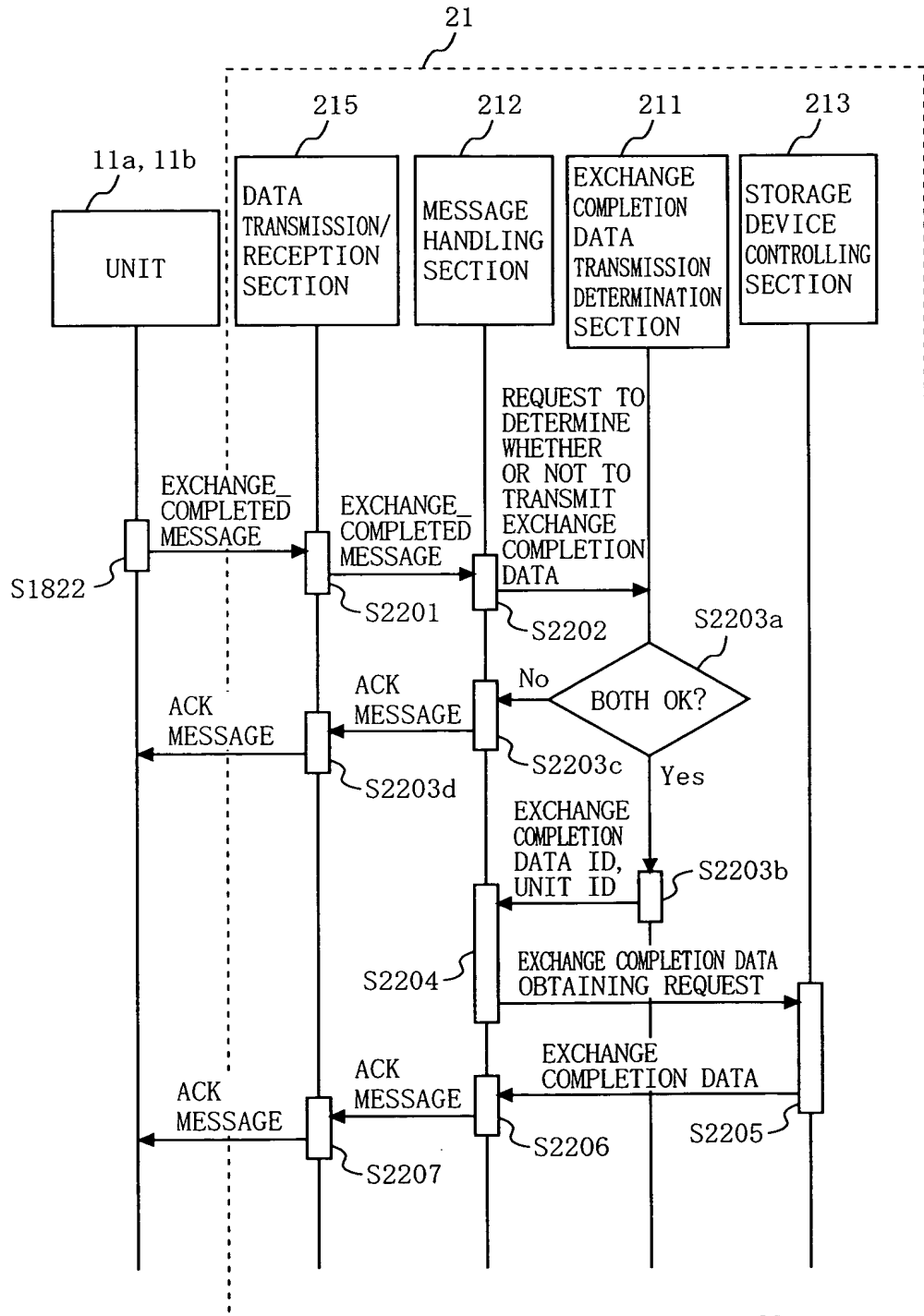


FIG. 27

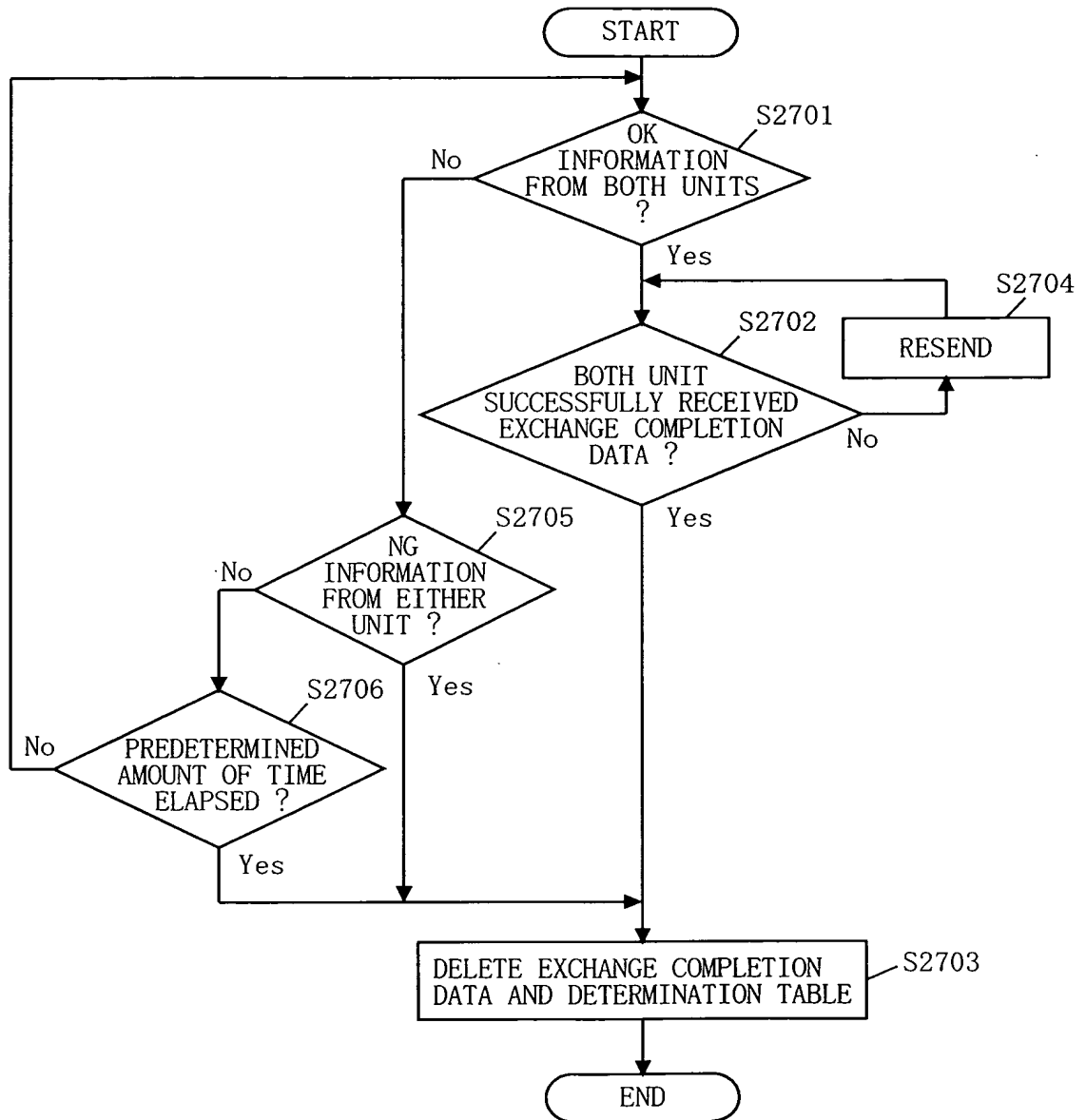


FIG. 28

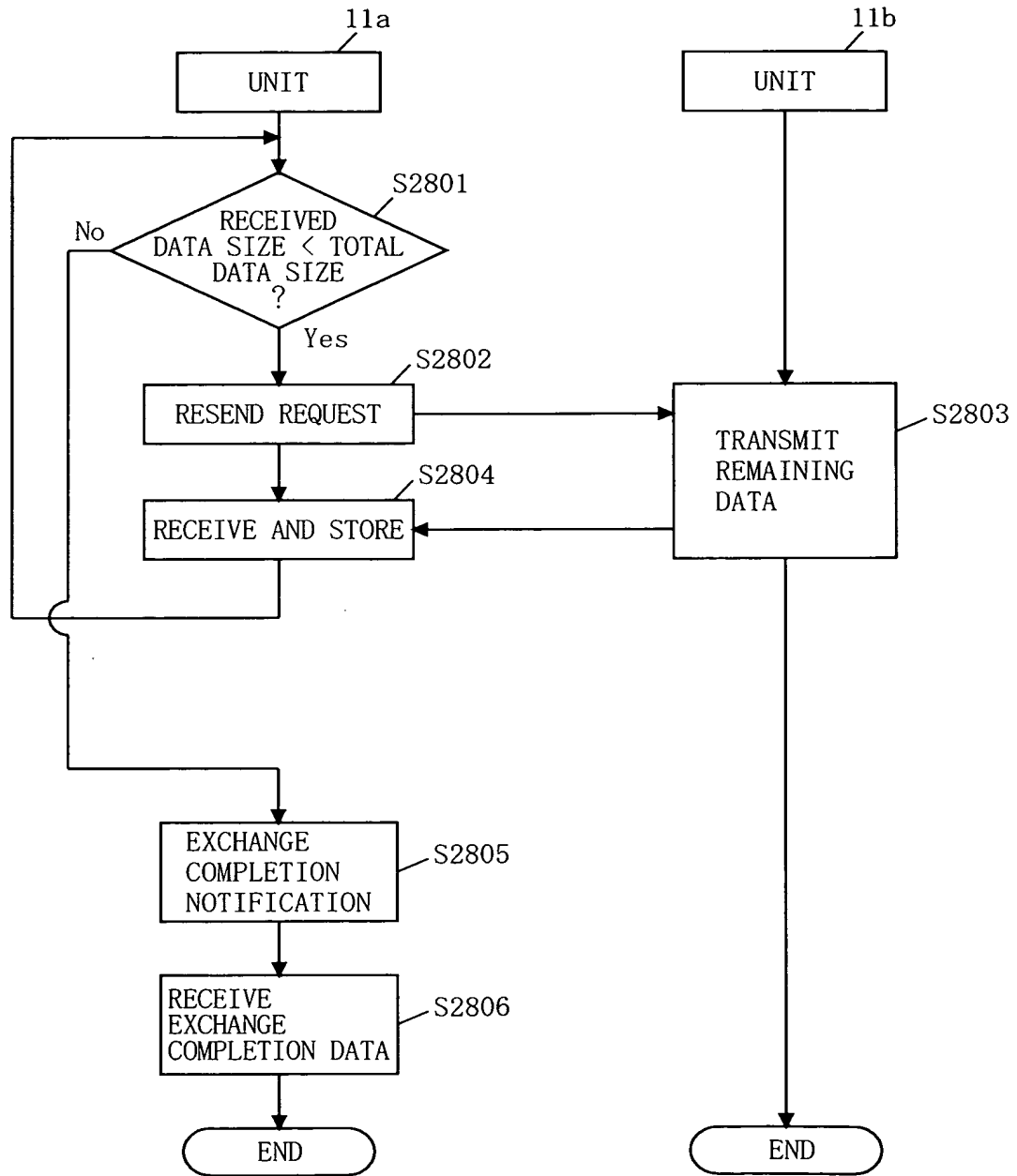


FIG. 29

UNIT ID OF THE OTHER PARTY'S UNIT	NUMBER OF EXCHANGES	NUMBER OF SUCCESSFUL EXCHANGES	SUCCESS PERCENTAGE	DATA RECEPTION RATE	LAST DATA STORAGE LOCATION
C0001	5	5	100%	216/216	ABC
C0002	3	3	100%	250/250	DEF
C0003	10	7	70%	72/130	GHI

FIG. 30

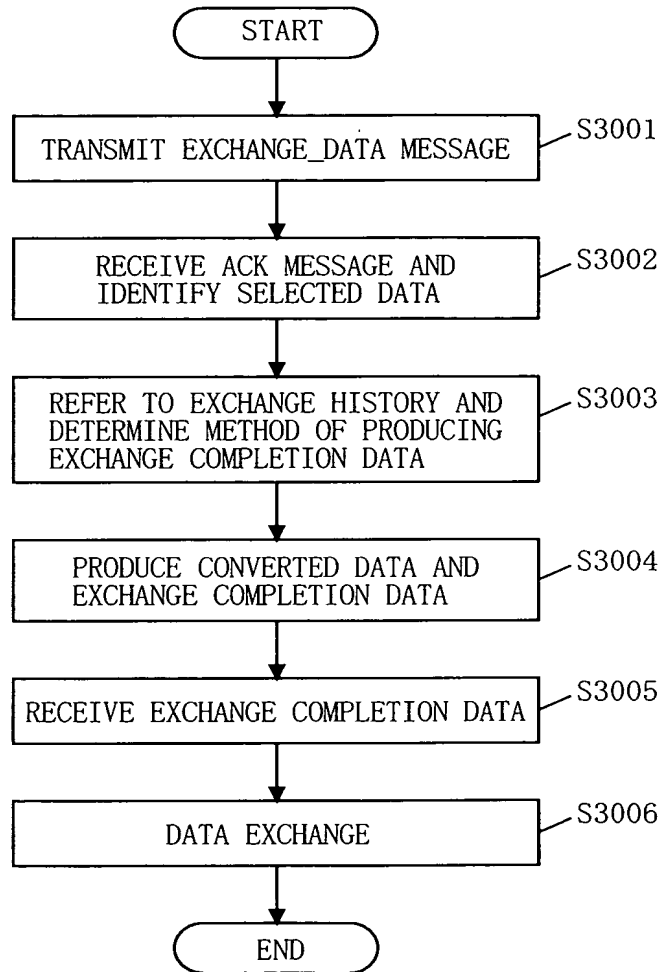


FIG. 31

